

Name: FEATHERLITE COACHES, INC
4441 ORANGE BOULEVARD

Vehicle Type: Bus Shell
Spec. Number : RJ-07/12/19 10:29
Ref. P. L. : 2/2/2008 US
Contact : Mr. David Husic
Sales Manager : Robert Jones

SANFORD FL
US 32771

Tel : 407-323-1120 Fax: 407-323-1945

Conf. Vehicle	Conf. Vehicle	Conf. Vehicle
<input checked="" type="checkbox"/> 81222	# 23	

OPTIONAL EQUIPMENT

Qty Total Price

WINDOWS & ACCESSORIES

01.005	NO FORMICA IN SIDE WALL ON L.H.	LOOSE IN BAY	1	\$0.00
01.010	NO FOAM IN WALL ON L.H. UNDER WINDOWS	LOOSE IN BAY	1	\$0.00
01.371	52 1/8" X 24 3/4", FIXED, THERMO, L.H. QTY: _____		2	\$2,320.00
01.375	52 1/8" X 36 3/4", FIXED, THERMO, R.H. QTY: _____		1	\$1,440.00
01.380	52 1/8" X 65 1/32", FIXED, THERMO, L.H. QTY: _____		1	\$2,005.00
01.385	52 1/8" X 65 1/32", FIXED, THERMO, R.H. QTY: _____		1	\$2,005.00
01.391	52 1/8" X 65 1/32", ELECTRICAL SLIDING, THERMO, L.H. QTY: _____		1	\$3,605.00
01.396	52 1/8" X 65 1/32", ELECTRICAL SLIDING, THERMO, R.H. QTY: _____		2	\$7,210.00
01.499	WINDSHIELD BLIND L.H. FIXED TEMPORARY (STD)		1	\$0.00
01.551	WINDOW LAYOUT # _____	D470737	1	\$0.00
01.552	UPPER TRIM TRAPO WINDOW L.H. FIXED TEMPORARY		1	\$0.00
01.555	UPPER TRIM TRAPO WINDOW R.H. FIXED		1	\$0.00

HEATING, A/C & VENTILATION SYSTEM

02.010	DRIVER'S A/C SYSTEM (STANDARD)		1	\$0.00
02.020	HOT WATER BOOSTER PUMP (STANDARD)		1	\$0.00

DRIVER'S SEATS & ACCESSORIES

03.006	MODULAR DASH BOARD EXTENSION (STD)		1	\$0.00
03.020	WOOD & LEATHER STEERING WHEEL (STD)		1	\$0.00
03.300	ELECTRIC ISRI SEAT, NO MEMORY		1	\$1,563.00
03.430	RAMCO REMOTE FLAT GLASS & CONVEX ON TOP, BLACK		1	\$0.00
03.500	CIGARETTE LIGHTER & ASHTRAY (STANDARD)		1	\$0.00

ENGINE, TRANSMISSION & ACCESSORIES

04.111	ENGINE DDEC VI, 515 HP, SERIES 60 WITH 5 YR/250,000 MI PROTECTION PLAN (STD)		1	\$0.00
04.150	WORLD TRANSMISSION, 6-SPEED AUT. WITH 5 YRS PROTECTION PLAN (STD)		1	\$0.00
04.160	BLOCK HEATER (STD)		1	\$0.00
04.200	ELECTRONIC SPEEDOMETER GAUGE M.P.H. (STANDARD)		1	\$0.00

ORDER SPECIFICATION:H3-45 VIP (V5)

Name: FEATHERLITE COACHES, INC
4441 ORANGE BOULEVARD

SANFORD FL
US 32771

Tel : 407-323-1120 Fax: 407-323-1945

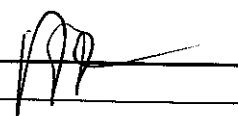
Vehicle Type: Bus Shell
Spec. Number : RJ-07/12/19 10:29
Ref. P. L. : 2/2/2008 US
Contact : Mr. David Husic
Sales Manager : Robert Jones

OPTIONAL EQUIPMENT

		Qty	Total Price
<u>ENGINE, TRANSMISSION & ACCESSORIES</u>			
04.500	TURBO BOOST PRESSURE GAUGE (STD)	1	\$0.00
04.600	ENGINE COOLANT FILTERS (STANDARD)	1	\$0.00
<u>ELECTRICAL SYSTEM</u>			
05.100	12-VOLT EXTERIOR LIGHTING (STANDARD)	1	\$0.00
05.110	24-VOLT FOR MECHANICAL SYSTEMS (STANDARD)	1	\$0.00
05.115	DRIVER'S A/C SYSTEM INCLUDES BOSCH 24V/140 AMP ALTERNATOR (STD)	1	\$0.00
05.900	***** SPECIAL	0	\$0.00
05.901	INSTALL BRACKET AND PULLEYS ONLY FOR A NIEHOFF 450 AMP ALTERNATOR	1	\$797.00
<u>FUEL SYSTEM</u>			
06.200	FUEL TANK 235 U.S. GAL.(890 LITRES) (STANDARD)	1	\$0.00
06.210	FUEL: 235 U.S. GALLONS	1	\$459.00
06.300	GENERATOR HOOK-UP ON MAIN FUEL TANK (2) (STD)	1	\$0.00
06.400	RACOR FUEL SEPARATOR	1	\$339.00
<u>BRAKES</u>			
07.200	OUTPUT RETARDER	1	\$6,712.00
07.500	PREVOST ADVANCED ELECTRONIC STABILITY PROGRAM (STD)	1	\$0.00
<u>SUSPENSION, WHEELS & TIRES</u>			
08.005	INDEPENDENT SUSPENSION & SYSTEM IMPROVEMENT	1	\$0.00
08.010	SWAY BARS / FRONT & DRIVE AXLES (STANDARD)	1	\$0.00
08.115	MICHELIN TIRES 365/70R 22.5 ON FRONT & TAG, 315/80R 22.5 ON DRIVE (STD)	1	\$0.00
08.206	ALUMINUM POLISHED WHEELS (FOUR 10 1/2" AND FOUR 9")	1	\$3,874.00
08.300	LEVEL LO FINGER TIP OPER. LEVELING SYS.(STD)	1	\$0.00
08.600	VARIABLE STEERING ASSISTANCE SYSTEM	1	\$1,538.00
08.700	TIRE PRESSURE MONITORING SYSTEM BERU (STD)	1	\$0.00
<u>AXLES</u>			
09.100	REAR END RATIO 4.56	1	\$0.00
09.300	MUD GUARDS ON FRONT & TAG AXLES (STANDARD)	1	\$0.00

4/10/2008

Customer's approval _____



ORDER SPECIFICATION : H3-45 VIP (V5)

Name: FEATHERLITE COACHES, INC
4441 ORANGE BOULEVARD

SANFORD FL
US 32771

Tel : 407-323-1120 Fax: 407-323-1945

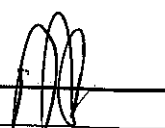
Vehicle Type: Bus Shell
Spec. Number : RJ-07/12/19 10:29
Ref. P. L. : 2/2/2008 US
Contact : Mr. David Husic
Sales Manager : Robert Jones

OPTIONAL EQUIPMENT

		Qty	Total Price
<u>AXLES</u>			
09.315	SPLASH GUARDS BETWEEN DRIVE & TAG AXLES AND BEHIND FRONT AXLE (STD)	1	\$0.00
<u>SAFETY ACCESSORIES</u>			
10.100	CORNERING & DOCKING LIGHTS (STANDARD)	1	\$0.00
10.110	TURN SIGNAL LIGHTS (6) (STANDARD)	1	\$0.00
10.120	SIDE MARKER LIGHTS (6) (STANDARD)	1	\$0.00
10.130	XENON LOW BEAM HEADLIGHTS	1	\$412.00
10.200	FOG LIGHTS (STANDARD)	1	\$0.00
10.400	BACK-UP ALARM (STANDARD)	1	\$0.00
10.500	TRAILER HITCH (STANDARD)	1	\$0.00
10.711	WIRING ONLY FOR REAR CAMERA (STD)	1	\$0.00
10.800	SPARE PARTS KIT	1	\$379.00
10.810	ROOF EXHAUST EXTENSION 6"5/8 (US07 MODELS) SHIPPED LOOSE	1	\$0.00
10.831	FLAT ADD. MESHED COVER FOR ROOF EXHAUST EXTENSION (LOOSE)	1	\$0.00
10.900	***** SPECIAL	0	\$0.00
10.901	DELETE EXTRUSION AND REFLECTIVE BAND	1	\$0.00
<u>DOORS & BAGGAGE COMPARTMENTS</u>			
11.100	INSULATED BAGGAGE BAY DOORS (STANDARD)	1	\$0.00
11.130	REMOTE KEYLESS LOCKING FOR ENTRANCE AND BAY DOORS (STD)	1	\$0.00
11.200	PERFORATED PANEL BEHIND FRONT BUMPER	1	\$130.00
11.900	***** SPECIAL	0	\$0.00
11.901	PANTOGRAPH ARM MODIFICATION IN BAY #3, 5 R.H.	1	\$0.00
11.902	SWING OUT HINGE ASSEMBLY ON BAY #1,2,3 L.H.	1	\$0.00
11.904	BAY DOOR #3 L.H. TO BE A VENTED DOOR #286971	1	\$123.00
	D280286		
<u>PAINT</u>			
12.100	BASE COAT/CLEAR COAT "STANDOX" PAINT	1	\$0.00
12.200	FIRST COLOR INCLUDED IN BASE PRICE	1	\$0.00
12.210	ADDITIONAL COLOR(S)	1	\$2,803.00
12.500	SUPER CLEAR COAT	1	\$6,416.00
	TBC		

4/10/2008

Customer's approval



ORDER SPECIFICATION : H3-45 VIP (V5)

Name: FEATHERLITE COACHES, INC
4441 ORANGE BOULEVARD

SANFORD FL
US 32771

Tel : 407-323-1120 Fax: 407-323-1945

Vehicle Type: Bus Shell

Spec. Number : RJ-07/12/19 10:29

Ref. P. L. : 2/2/2008 US

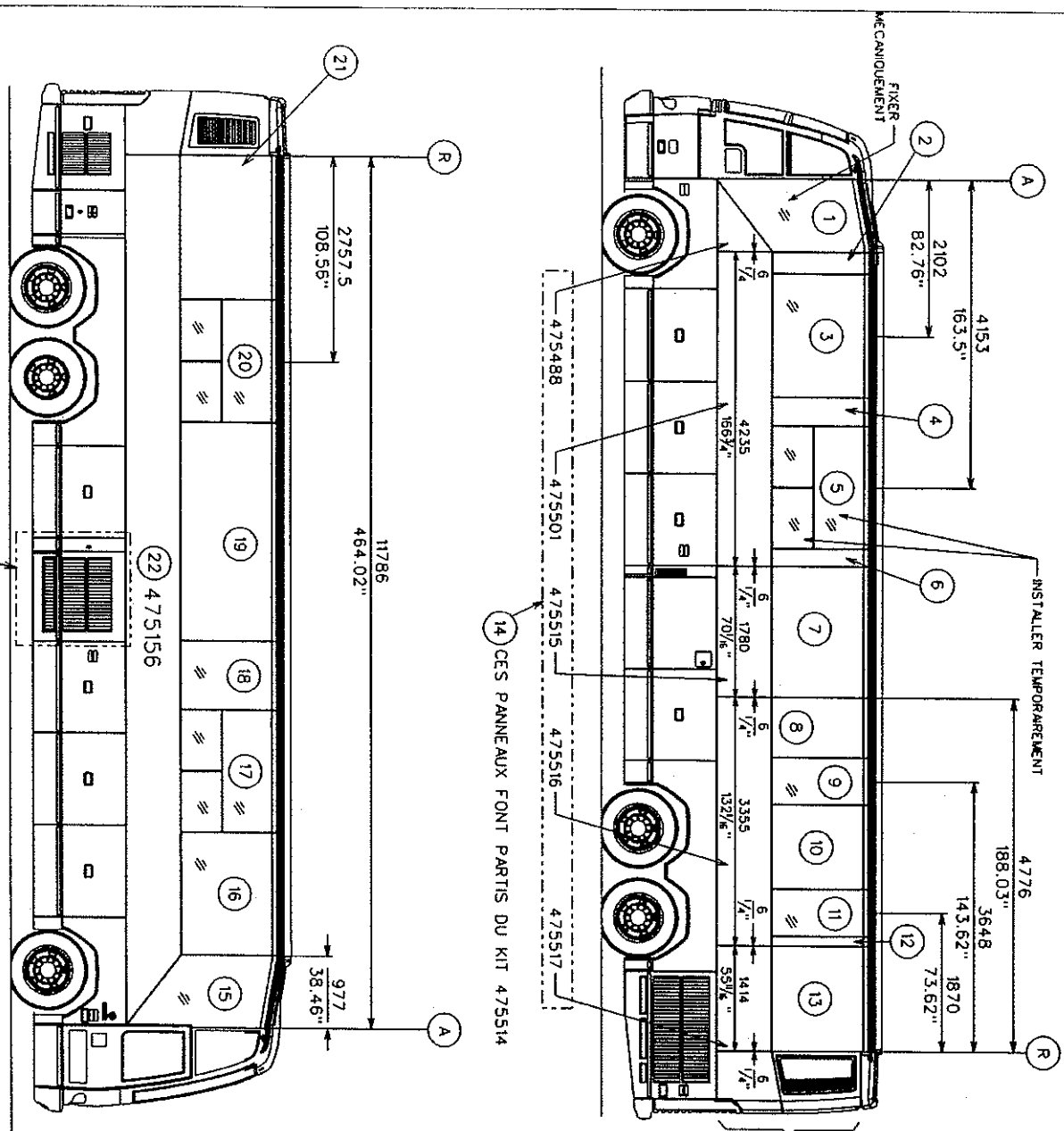
Contact : Mr. David Husic

Sales Manager : Robert Jones

MISCELLANEOUS AND PRICE

Base Price :	\$396,986.00
Tot. Option :	\$44,130.00
Sub Total :	\$441,116.00
Transport fees :	\$2,500.00
Miscellaneous :	\$0.00
Brok. Fees:	\$0.00
Total :	\$443,616.00
Currency :	US





NOTE 1: REPRESENTATION SEULEMENT,
TOUJOURS SE REFERER AU SPEC. DU VEH
POUR VOIR L'OPT. PETIT OU GR A/C

TOUS LES PANNEAUX
DE COTE SONT FIXES
MECANIQUEMENT (COTE GAUCHE)

COTE GAUCHE

REF	NUMEROS	DESCRIPTION
1	297138	FENETRE TRAPEZOIDALE
2	476778	PANNEAU (478182) 283mm
3	297111	52/8" X 69 1/2" "FIXE, THERMOS
4	476779	PANNEAU (478187) 383mm
5	297190-297154	52/8" X 69 1/2" "FIXE, THERMOS, SLIDING
6	476780	PANNEAU (478183) 231mm
7	476781	PANNEAU (478180) 1780mm
8	476782	PANNEAU (478182) 805.5mm
9	297132	52/8" X 24 3/4" "FIXE, THERMOS
10	476783	PANNEAU (478187) 1133mm
11	297132	52/8" X 24 3/4" "FIXE, THERMOS
12	476784	PANNEAU (478183) 125mm
13	476785	PANNEAU (478179 GA) 1415mm
14	475514	KIT PANNEAU DE COTE VIP 45

COTE DROIT

REF	NUMEROS	DESCRIPTION
15	297125	FENETRE TRAPEZOIDALE
16	297111	52/8" X 69 1/2" "FIXE, THERMOS
17	297190-297154	52/8" X 69 1/2" "FIXE, THERMOS, SLIDING
18	297135	52/8" X 36 3/4" "FIXE, THERMOS
19	478199	PANNEAU (478187) 294.75mm
20	297190-297154	52/8" X 69 1/2" "FIXE, THERMOS, SLIDING
21	478200	PANNEAU (478185) 1922.5mm
22	475266	LISTE PANN COTE VIP 45
23		
24		

KIT DE FENETRE - 293430

C	07/06	CD*56037	OC*2005056	MLAF
B	06/09	CD 53190	OC2005056	JPT
A	06-05		LANCE	MLAF
ITEM	DATE	REVISION		PAR

PREVOOST
H345 BUS SHELL ORDER SPECIFICATIONS

V5H73 5/8" T 2F OH 2L 1M 3S

PAR: MARTIN LAFLAMME DATE: 06-05-26

NO. VEH. D470737P1

LISTE: 476777