

NOTE — INTERPRET ALL DRAWINGS IN ACCORDANCE WITH ANSI Y14.5-1982

1 REMOVE ALL SHARP EDGES

SW1 SWITCH PANEL, CRUISAIR CONTROLLER & AQUA-HOT T-STAT ON FORWARD WALL OF SLIDEOUT

VIDEO PHONE IN CRADLE ON TOP OF FORWARD NIGHTSTAND & CARBON MONOXIDE DETECTOR INSTALLED IN BOTTOM OF FORWARD END OF OVER BED STORAGE CABINET

STATEROOM SLIDE OUT SWITCHES & POCKET DOOR SWITCH

OVER BED CABINET w/CO DETECTOR ON BOTTOM FWD. END

KING SIZE BED w/REGIN ALLEGRO 12" PILLOW TOP DUAL CHAMBER AIR MATTRESS

SUBWOOFER UNDER BED

SW11 SWITCH PANEL & ALARM CLOCK ON SLIDE OUT AFT WALL

STACKED FRONT LOADING WASHER/DRYER

HALF HANGING CLOSET w/ 3 DRAWERS

110V ELEC. OUTLET

CADET ELECTRIC TOE KICK HEATER

AFT STORAGE CABINET & ACCESS TO CAMERA BOX

AQUA-HOT HEATER w/GRILLE #3630026

FULL HANGING CLOSET

AMX, VCR, 2 DSRS & KVH ANTENNA SWITCH

AQUA-HOT RETURN AIR GRILLE #3630019

CRUISAIR EBS-16 EVAPORATOR

35'

30'

25'

20'

15'

10'

5'

0'

CLOSET

CEILING FAN

SCONCE LIGHT

SCONCE LIGHT

CLOSET

PNEUMATIC POCKET DOOR

MEDICINE CABINET

WATER CLOSET

CUSTOM ROBE HOOK (TO BE PLACED BY INTERIOR DESIGNER)

PRIVATE LAV. VANITY

SW12 SWITCH PANEL

ETCHED & FIBER OPTICALLY LIT BULKHEAD

ROLLING RADIUS GLASS SHOWER

MAIN VANITY & MEDICINE CABINET

SW9 SWITCH PANEL & POCKET DOOR SWITCH

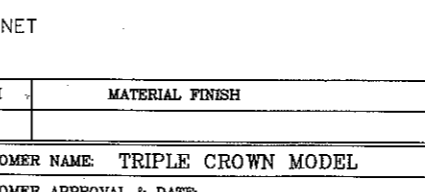
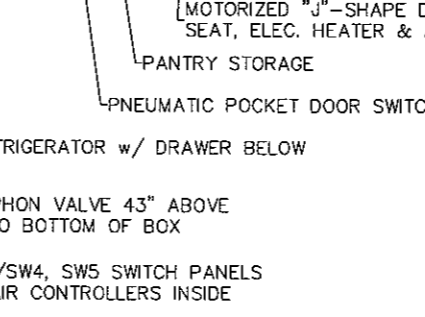
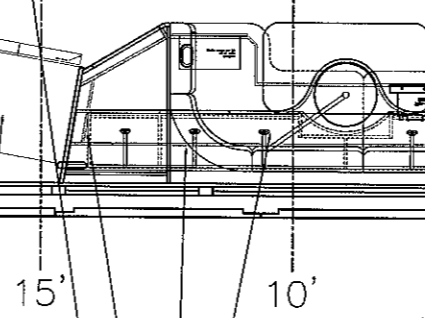
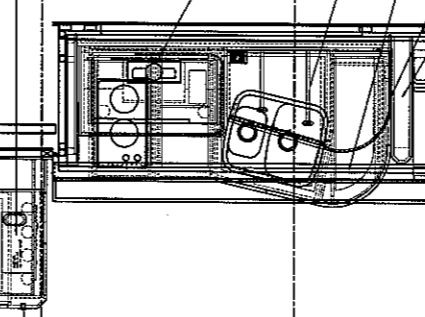
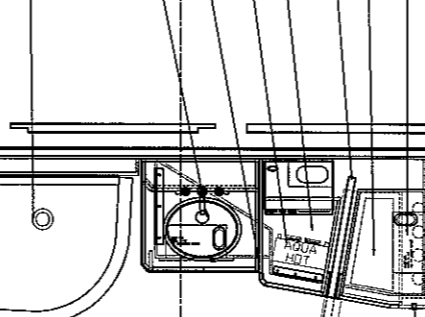
AQUA-HOT HEATER

CRUISAIR EBS16 EVAPORATOR w/STORAGE

PNEUMATIC POCKET DOOR

PANTRY w/DISPLAY

ELECTRIC HEATER



MICROWAVE (NO VENT) w/TAMBOUR DOOR

GALLEY UPPER STORAGE CABINET

GALLEY BASE w/ELECTRIC COOK TOP, CORIAN DOUBLE BOWL SINK, INSTA HOT, SINK & STOVE CORIAN COVERS, CUTLERY DRAWER & TRASH RECEPTACLE ON BACK OF DOOR

ETCHED GALLEY SPLASH GUARD w/FIBER OPTIC LIGHTING

UPHOLSTERED SOFA ARM

ELECTRIC SLEEPER SOFA w/SUBWOOFER CENTERED BELOW

SALON TABLE w/CD-DVD, VCR, AM/FM/CD RECEIVER, & A/B SWITCH INSIDE, AQUA-HOT T-STAT, CRUISAIR CONTROLLER, PHONE JACK, SLIDE OUT SWITCH, & 12V. ACCESSORY PLUG ON FWD. FACE, ELEC. HEATER & 110V OUTLET IN TOE KICK & CRUISAIR UNIT BELOW

DRIVER'S CONSOLE w/CUP HOLDER & CB RADIO BUILT IN

HELM FLIP 42" PLASMA TV

SW6 & SW7 DASH SWITCH PANELS

SW8 SWITCH PANEL

ENTRY STEP SHOE STORAGE

2ND GPS FLIP OUT MONITOR

SW13 SWITCH PANEL

SALON DESK w/VGA & PHONE JACKS, TV ANTENNA CONTROLLER, GROMMET IN TOP, SALON SW3, TV LIFT & SHADE SWITCHES, w/AQUA-HOT HEATER, 110V OUTLET & ETHERNET JACK IN TOE KICK

SALON CHAIR

UPPER DINETTE w/CHANDELIER & DISPLAY CAB.

MOTORIZED "J"-SHAPE DINETTE w/SLIDE OUT SEAT, ELEC. HEATER & AQUA-HOT BELOW

PANTRY STORAGE

PNEUMATIC POCKET DOOR SWITCH

REFRIGERATOR w/ DRAWER BELOW

ANTI-SIPHON VALVE 43" ABOVE FLOOR TO BOTTOM OF BOX

LMDP PANEL w/SW4, SW5 SWITCH PANELS & TWO CRUISAIR CONTROLLERS INSIDE

CRUISAIR EBS16 EVAPORATOR

PRIVATE LAV. MED. CABINET

REVISIONS			
REV.	DESCRIPTION	DATE	APPROVAL
1	SWITCHED LOCATIONS OF APT ELEC. & AQUA-HOT TOE KICK HEATERS	03/22/05	AA

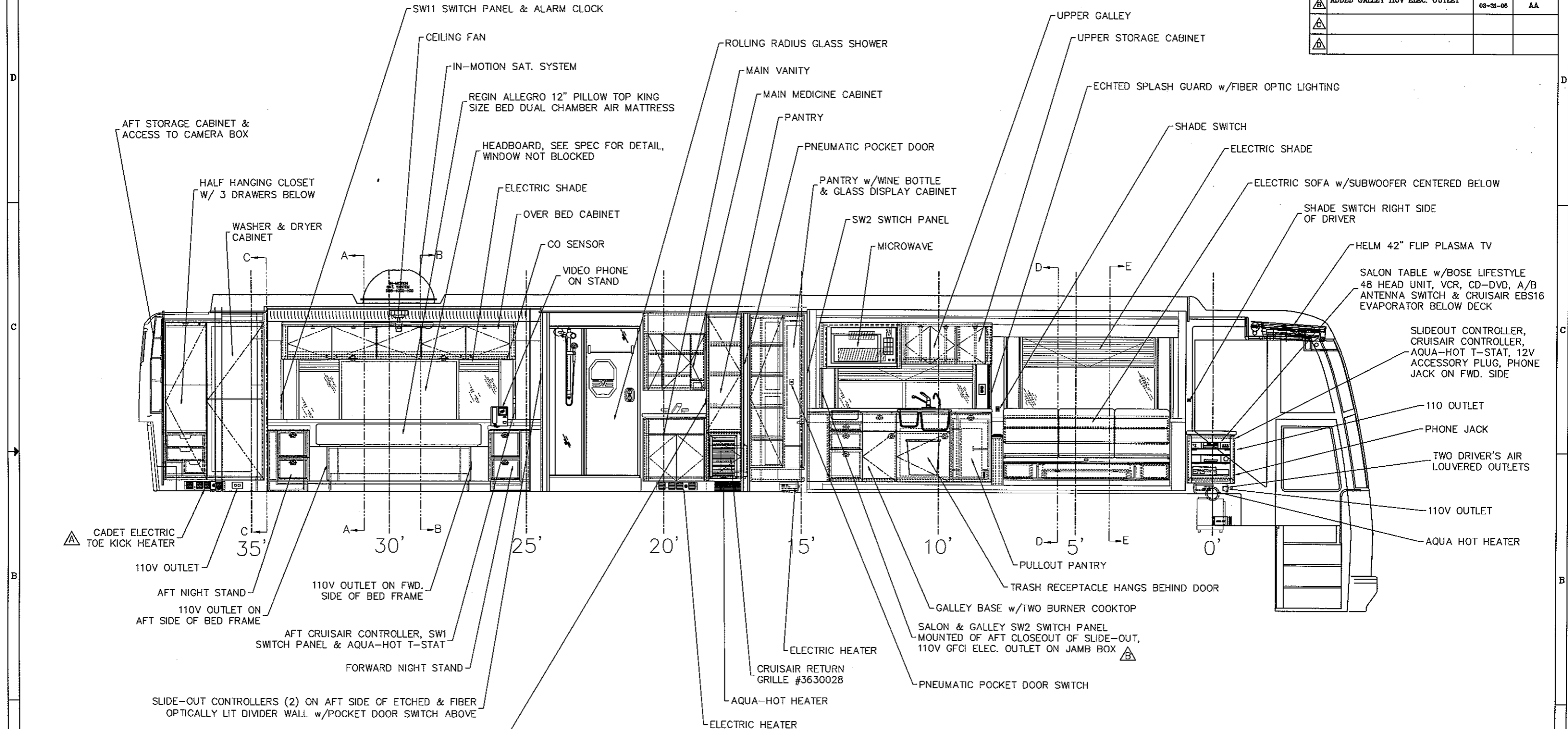
-02				
-01				
QTY	ITEM	PART NUMBER	DESCRIPTION	MATERIAL STOCK SIZE
	DWG. BY	<i>A. Almquist</i>	FEATHERLITE 1601 DOLGNER PL SANFORD FLA 32771 TEL 1-407-323-1120 FAX 1-407-323-1945	
	CHK. BY			
	ENGR. BY	<i>A. Almquist</i>		
	CHESS:	H345		
	DATE :	01/26/05		
	PROPRIETARY NOTICE:			
	CUSTOMER NAME:	TRIPLE CROWN MODEL		
	CUSTOMER APPROVAL & DATE:			
	SCALE:	NTS	DRAWING NO.:	01390011
			DRAWING FILE #	NONE
			SHEET:	1 OF 1
			REV	A

THIRD ANGLE PROJECTION
DO NOT SCALE DRAWING
TOLERANCES UNLESS OTHERWISE SPECIFIED:
ANGLES: ± 1/4"
FRACTIONS: ± 1/64
DECIMALS: XX ± 0.10
DECIMALS: XXX ± 0.005

NOTE — INTERPRET ALL DRAWINGS IN ACCORDANCE WITH ANSI Y14.5-1982

1 REMOVE ALL SHARP EDGES

REVISIONS			
REV.	DESCRIPTION	DATE	APPROVAL
△	SWITCHED LOCATIONS OF AFT ELEC. & AQUA-HOT TOE KICK HEATERS	03/22/05	AA
△	ADDED GALLEY 110V ELEC. OUTLET	03-31-05	AA
△			
△			



-02			
-01			
QTY	ITEM	PART NUMBER	DESCRIPTION
	DWG. BY	A. Almquist	
	CHK BY		
	ENGR. BY	A. Almquist	
	CHASSIS	H345	
	DATE	01/26/05	
	PROPRIETARY NOTICE	THIS DOCUMENT AND THE INFORMATION DISCLOSED ARE CONFIDENTIAL AND PROPRIETARY TO FEATHERLITE. DISCLOSURE OF SUCH INFORMATION IS EXPRESSLY FORBIDDEN WITHOUT OUR PRIOR WRITTEN PERMISSION.	
	SCALE	NTS	
	DRAWING NO.	01390021	
	DRAWING FILE #	NONE	
	SHEET	1 OF 7	
	REV	B	

ITEM	MATERIAL FINISH
CUSTOMER NAME:	TRIPLE CROWN MODEL
CUSTOMER APPROVAL & DATE:	

THIRD ANGLE PROJECTION
DO NOT SCALE DRAWING
TOLERANCES UNLESS OTHERWISE SPECIFIED:
ANGLES: ± 1/4"
FRACTIONS: ± 1/64
DECIMALS: XX ± .030
DECIMALS: XXX ± .005

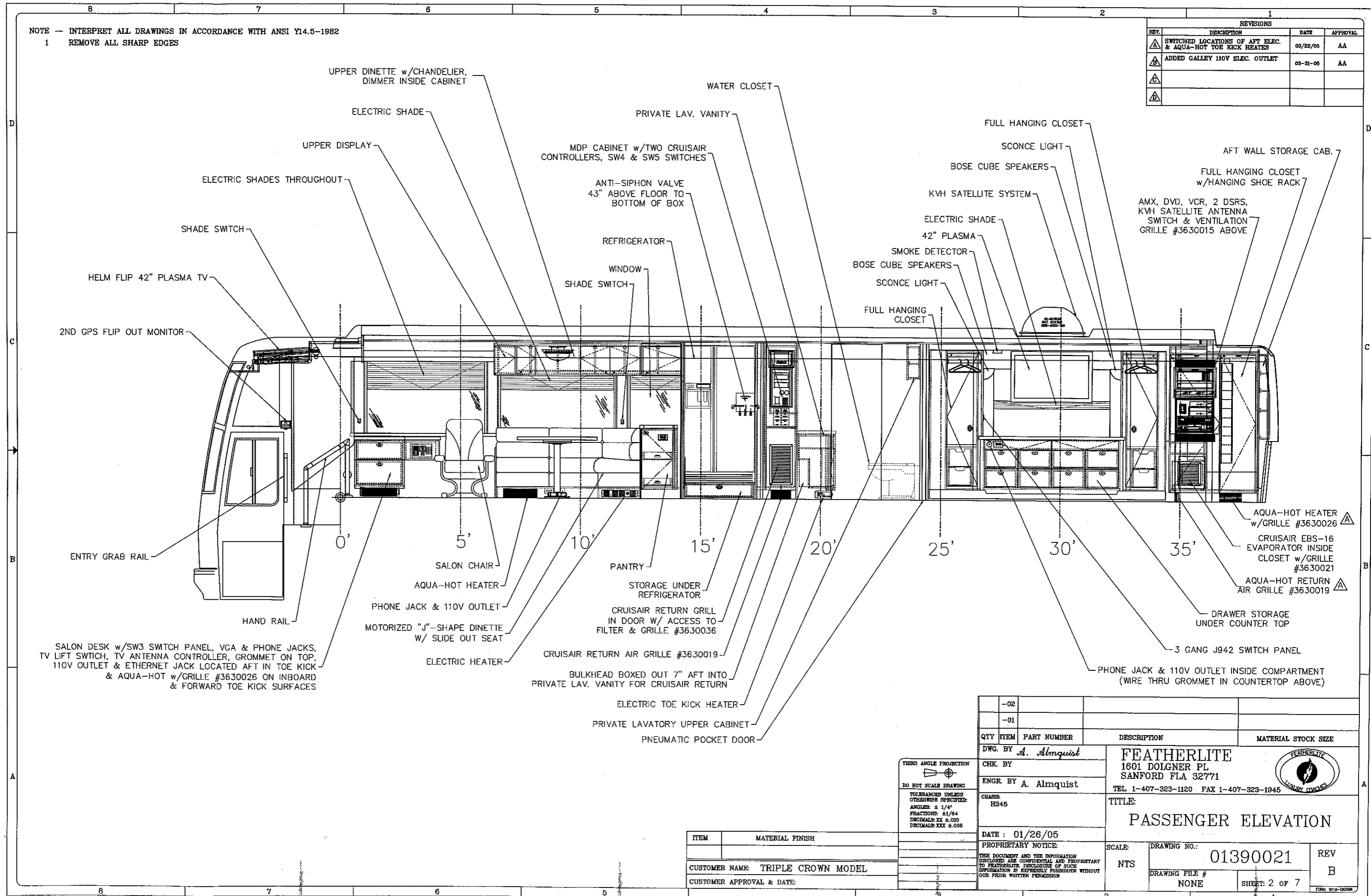
FEATHERLITE
1601 DOLGNER PL
SANFORD FLA 32771
TEL 1-407-323-1120 FAX 1-407-323-1945



DRIVER SIDE ELEVATION

NOTE -- INTERPRET ALL DRAWINGS IN ACCORDANCE WITH ANSI Y14.5-1982
 1 REMOVE ALL SHARP EDGES

REVISIONS			
REV.	DESCRIPTION	DATE	APPROVAL
△	SWITCHED LOCATIONS OF AFT ELEC. & AQUA-HOT TOE KICK HEATES	05/22/05	AA
△	ADDED GALLEY 110V ELEC. OUTLET	05-21-05	AA
△			
△			



SALON DESK w/SW3 SWITCH PANEL, VGA & PHONE JACKS, TV LIFT SWITCH, TV ANTENNA CONTROLLER, GROMMET ON TOP, 110V OUTLET & ETHERNET JACK LOCATED AFT IN TOE KICK & AQUA-HOT w/GRILLE #3630026 ON INBOARD & FORWARD TOE KICK SURFACES

THIRD ANGLE PROJECTION
 DO NOT SCALE DRAWING
 TOLERANCES UNLESS OTHERWISE SPECIFIED:
 ANGLES: ± 1/4°
 FRACTIONS: ± 1/64
 DECIMALS: XX ± 0.010
 DECIMALS: XXX ± 0.005

ITEM	MATERIAL FINISH
CUSTOMER NAME: TRIPLE CROWN MODEL	
CUSTOMER APPROVAL & DATE:	

-02			
-01			
QTY	ITEM	PART NUMBER	DESCRIPTION
DWG. BY <i>A. Almquist</i>			FEATHERLITE 1601 DOLGNER PL SANFORD FLA 32771 TEL 1-407-323-1120 FAX 1-407-323-1945
CHK. BY			
ENGR. BY <i>A. Almquist</i>			TITLE: PASSENGER ELEVATION
CHASIS: H345			
DATE: 01/26/05			SCALE: NTS DRAWING NO.: 01390021 REV B
PROPRIETARY NOTICE:			
THIS DOCUMENT AND THE INFORMATION DISCLOSED ARE CONFIDENTIAL AND PROPRIETARY TO FEATHERLITE. DISCLOSURE OF SUCH INFORMATION IS EXPRESSLY FORBIDDEN WITHOUT OUR PRIOR WRITTEN PERMISSION.			DRAWING FILE # NONE SHEET: 2 OF 7



NOTE — INTERPRET ALL DRAWINGS IN ACCORDANCE WITH ANSI Y14.5-1982
 1 REMOVE ALL SHARP EDGES

REVISIONS			
REV.	DESCRIPTION	DATE	APPROVAL

BAY #5L

- 5L1 GLENDENNING CABLE MASTER w/REMOTE
- 5L2 GLENDENNING POWER WATER HOSE REEL
- 5L3 ELECTRIC HEATER
- 5L4 BAY SWITCH PANEL
- 5L5 AQUA HOT UNIT
- 5L6 SHORE POWER INPUT BREAKER w/ REVERSE POLARITY TRIP
- 5L7 SHORE POWER DISCONNECT
- 5L8 FRESH FILL
- 5L9 BLACK FLUSH SYSTEM
- 5L10 GRAY FLUSH SYSTEM

- 5L12 —
- 5L13 SHOWER HEAD
- 5L14 HOT & COLD FAUCET
- 5L15 PAPER TOWEL HOLDER
- 5L16 T.V. CABLE, LAND LINE PHONE HOOKUP & DUMP
- 5L17 GFI OUTLET (GUARDED)
- 5L18 SOAP DISPENSER
- 5L19 ELECTRIC HEAT THERMOSTAT
- 5L20 BLACK & GRAY ELECTRIC DUMP VALVE
- 5L21 MANUAL LOW POINT DRAIN SYS.
- 5L22 BAY LIGHT
- 5L23 AQUA-HOT HEATER
- 5L24 CABLE MASTER CONTROL SWITCH
- 5L25 AQUA-HOT THERMOSTAT
- 5L26 TANK GAUGES
- 5L27 AIR CHUCK
- 5L28 GIRARD WIRELESS S.O. AWNING REMOTES
- 5L29 WATER HOSE REEL POWER SWITCH

BAY #4L

- 4L1 BAY LIGHT
- 4L2 BATTERY BANK (4)
- 4L3 VENT FOR BATTERIES
- 4L4 TRUSS CLOSE OUT
- 4L5 BUS BAR
- 4L6 EQUALIZER
- 4L7 VOLT MONITOR

BAY #3L

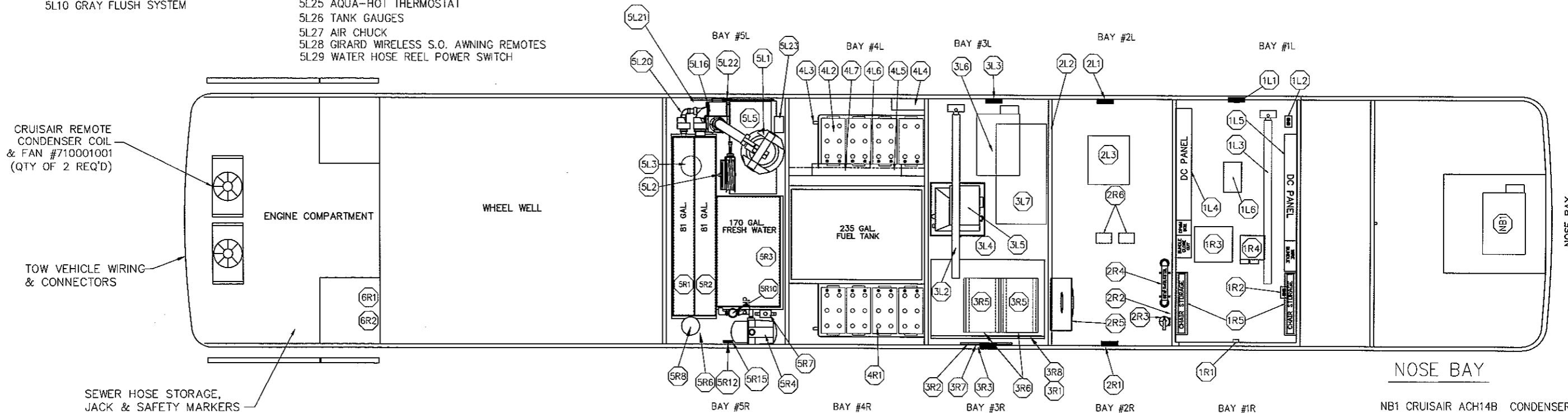
- 3L1 CRUISAIR ACH14B CONDENSER
- 3L2 RAM
- 3L3 BAY LIGHT
- 3L4 GENERATOR RADIATOR
- 3L5 GENERATOR AIR BLOWER
- 3L6 CRUISAIR ACH14B CONDENSER #710001000 (2 REQ'D)
- 3L7 CRUISAIR COMPRESSOR PALLET

BAY #2L

- 2L1 BAY LIGHT
- 2L2 GFI OUTLET
- 2L3 SLIDEOUT CONTROLLER AND INVERTERS

BAY #1L

- 1L1 BAY LIGHT
- 1L2 110V GFI OUTLET
- 1L3 SLIDE OUT RAM
- 1L4 AC RELAY PANEL
- 1L5 DC RELAY PANEL
- 1L6 FIBER OPTIC BOX



BAY #5R

- 5R1 GRAY WATER TANK
- 5R2 BLACK WATER TANK
- 5R3 FRESH WATER TANK
- 5R4 WATER PUMP
- 5R5 ELECTRIC HEATER
- 5R6 CITY WATER / FILL INLET
- 5R7 WATER MANIFOLD
- 5R8 LRG. PST ACCUMULATOR TANK
- 5R9 INVERTER BREAKER PANEL
- 5R10 PARTICULATE WATER FILTER
- 5R11 WATER SPIGOT
- 5R12 BAY LIGHT
- 5R13 110v GFI OUTLET
- 5R14 ELEC. HEAT THERMOSTAT
- 5R15 PLUMBING BAY PANEL
- 5R16 WIRELESS GIRARD 3RD SLIDE OUT CONTROL
- 5R17 BROAN ELECTRIC HEATER
- 5R18 THIRD SLIDE OUT STRUCTURAL TRUSS
- 5R19 COVERED 110V GFCI ELEC. OUTLET

BAY #4R

- 4R1 BAY LIGHT
- 4R2 SONY 32" PLASMA TV MONITOR
- 4R3 FEATHERLITE MOUNTING BRACKET (BEHIND TV)
- 4R4 ENTERTAINMENT CABINET SOLID EDGE #5560046
- 4R5 BOSE DOUBLE ACOUSTIMASS CUBE SPEAKERS (SPEAKERS MEASURE 6.2" HIGH x 3.1" WIDE x 4" DEEP)
- 4R6 110V ELECTRICAL OUTLET
- 4R7 GIRARD AWNING CONTROLLER
- 4R8 AM/FM/CD PIONEER STEREO
- 4R9 BATTERY RACK ENCLOSURE
- 4R10 INFRARED EYE SENSOR
- 4R11 PULL OUT FLIP TOP TABLE w/STORAGE DRAWER
- 4R12 BATTERY RACK ENCLOSURE VENT TUBE
- 4R13 BAZOOKA SUBWOOFER 6" TUBE SUBWOOFER (BEHIND TV)

BAY #3R

- 3R1 17.5kw POWERTECH GENERATOR
- 3R2 BAY LIGHT
- 3R3 INVERTOR OUTPUT BREAKER
- 3R4 CHAIR STORAGE (4)
- 3R5 4000 watt INVERTER w/ 24V CHARGERS
- 3R6 INVERTER FAN
- 3R7 GENERATOR AIR BAG REGULATORS & AIR CHUCK
- 3R8 GENERATOR BOX w/ POLISHED DOORS & FACE FRAME
- 3R9 INVERTER BYPASS SWITCHES
- 3R10 GENERATOR SWITCH
- 3R11 TRANSFER SWITCHES

BAY #2R

- 2R1 BAY LIGHT
- 2R2 GFI OUTLET
- 2R3 FIRE EXTINGUISHER
- 2R4 TELESCOPING LADDER
- 2R5 TOOL BOX
- 2R6 AWNING CONTROL BOXES

BAY #1R

- 1R1 BAY LIGHT
- 1R2 110V GFI OUTLET
- 1R3 BAY INTERFACE BOX
- 1R4 LIGHT DIMMER BOX
- 1R5 CHAIR STORAGE

BAY #6R

- 6R1-BATTERY EQUALIZER
- 6R2-BATTERY MONITOR

GENERAL INFO.

- BAY DOORS KEYED ALIKE
- PAINTED WALLS & FLOOR
- POLISHED S.S. GENERATOR BOX DOORS
- AQUA-HOT HEATING SYS. EXHAUSTED TO REAR OF COACH
- GENERATOR EXHAUSTED TO REAR

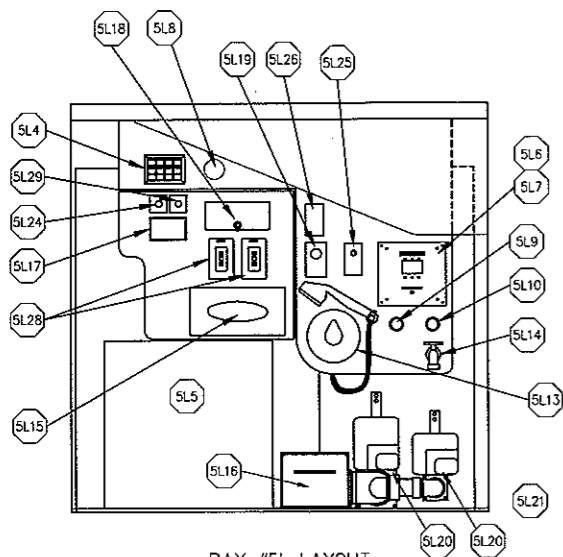
CUSTOMER NAME: TRIPLE CROWN MODEL
 CUSTOMER APPROVAL & DATE:

THIRD ANGLE PROJECTION DO NOT SCALE DRAWING TOLERANCES UNLESS OTHERWISE SPECIFIED: ANGLES: ± 1/4° FRACTIONS: ± 1/64 DECIMALS: XX ±.010 DECIMALS: XXX ±.006	DWG. BY <i>A. Almqvist</i>	FEATHERLITE 1601 DOLGNER PL. SANFORD FLA 32771 TEL 1-407-323-1120 FAX 1-407-323-1945	
	CHK BY		
	ENGR BY <i>A. Almqvist</i>	TITLE: BAY LAYOUT	
	CHASD: H345	DATE: 01/26/05	SCALE: NTS
PROPRIETARY NOTICE: THIS DOCUMENT AND THE INFORMATION DISCLOSED ARE CONFIDENTIAL AND PROPRIETARY TO FEATHERLITE. DISCLOSURE OF SUCH INFORMATION IS EXPRESSLY FORBIDDEN WITHOUT OUR PRIOR WRITTEN PERMISSION.		DRAWING FILE # NONE	REV: —
CUSTOMER APPROVAL & DATE:		SHEET: 1 OF 3	FORM 1004-00206

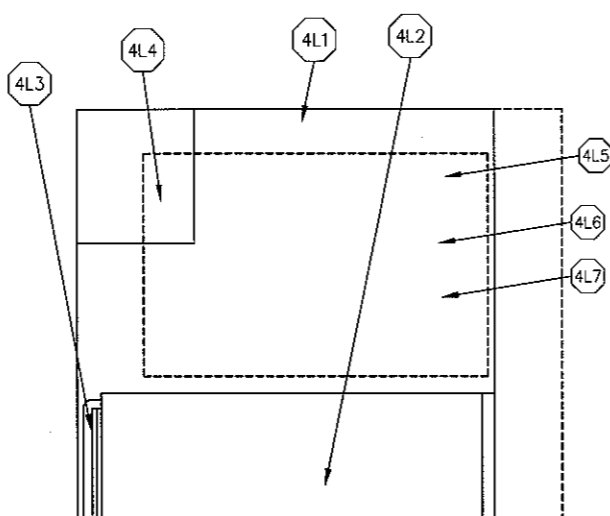
NOTE — INTERPRET ALL DRAWINGS IN ACCORDANCE WITH ANSI Y14.5-1982

1 REMOVE ALL SHARP EDGES

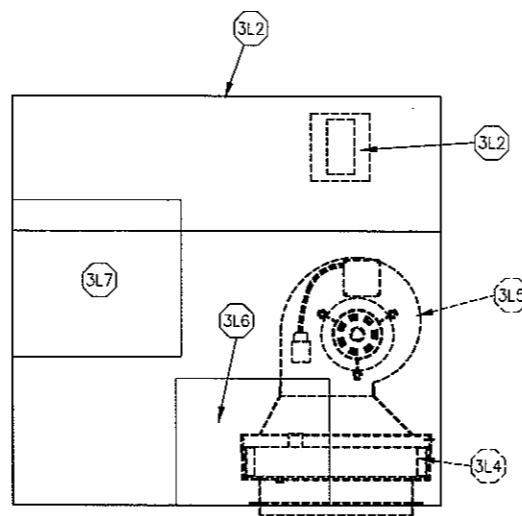
REVISIONS			
REV.	DESCRIPTION	DATE	APPROVAL



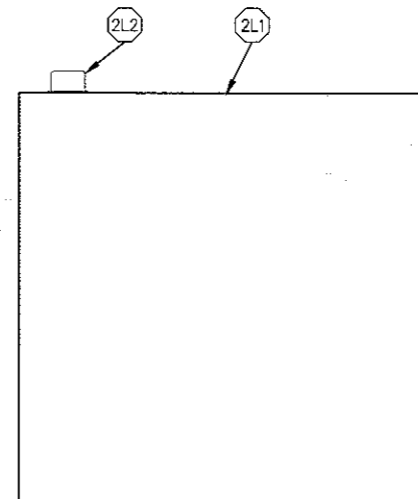
BAY #5L LAYOUT
VIEW LOOKING INTO BAY 2X SIZE
← FWD.



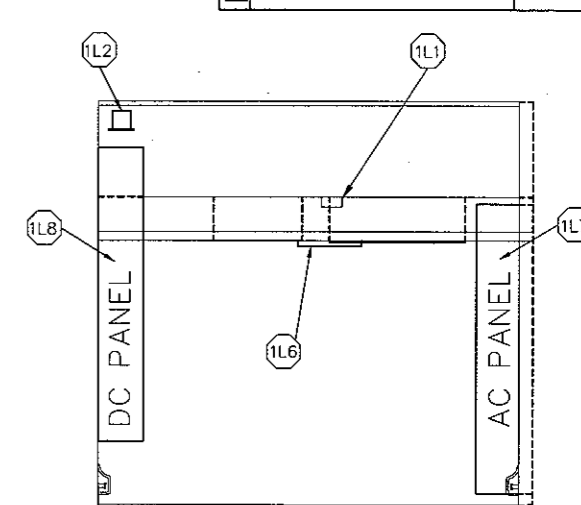
BAY #4L LAYOUT
VIEW LOOKING INTO BAY 2X SIZE
← FWD.



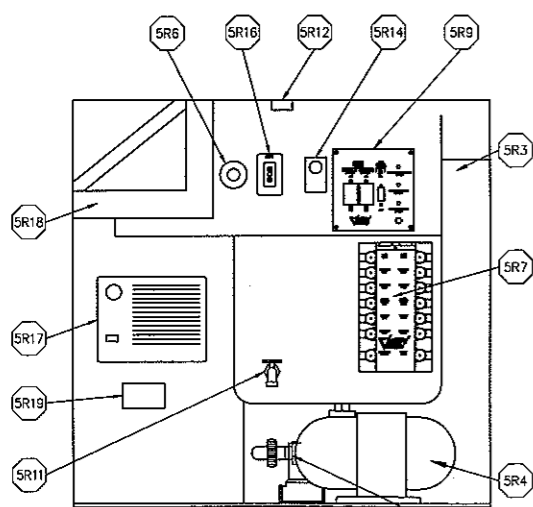
BAY #3L LAYOUT
VIEW LOOKING INTO BAY 2X SIZE
← FWD.



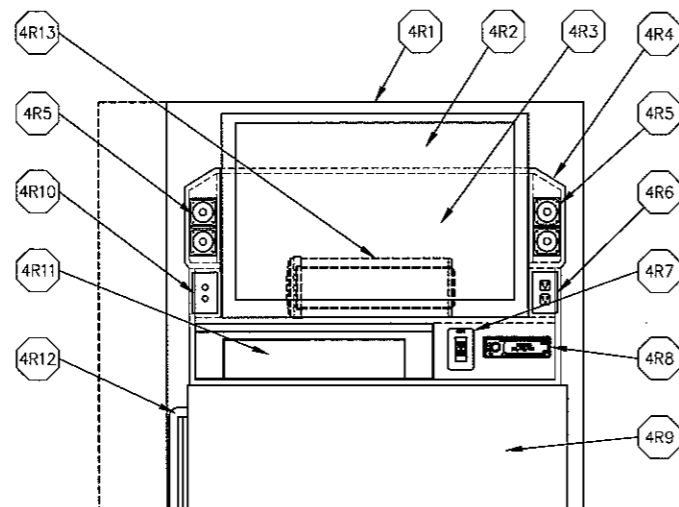
BAY #2L LAYOUT
VIEW LOOKING INTO BAY 2X SIZE
← FWD.



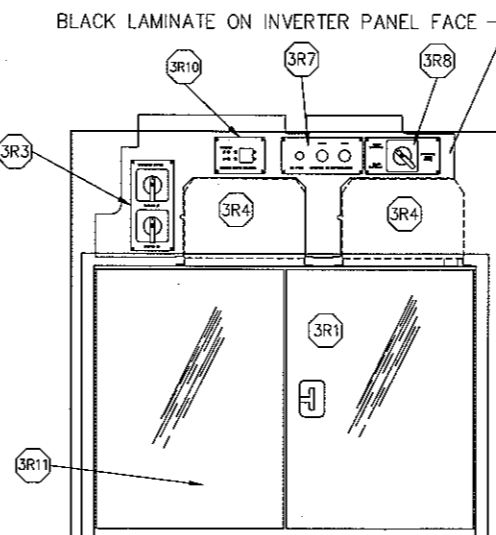
BAY #1L LAYOUT
VIEW LOOKING INTO BAY 2X SIZE
← FWD.



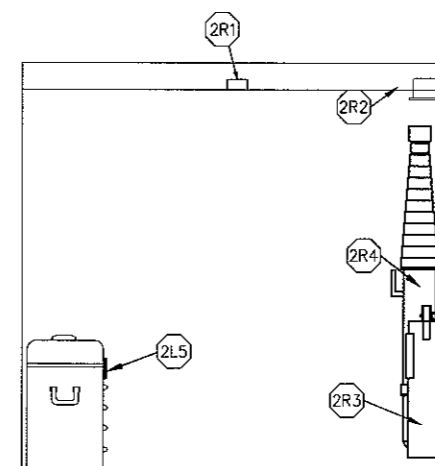
BAY #5R LAYOUT
VIEW LOOKING INTO BAY 2X SIZE
← FWD.



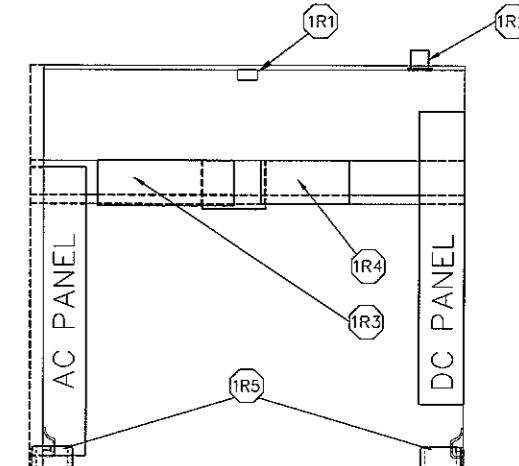
BAY #4R LAYOUT
VIEW LOOKING INTO BAY
← FWD.



BAY 3R LAYOUT
VIEW LOOKING INTO BAY 2X SIZE
← FWD.



BAY #2R LAYOUT
VIEW LOOKING INTO BAY
← FWD.

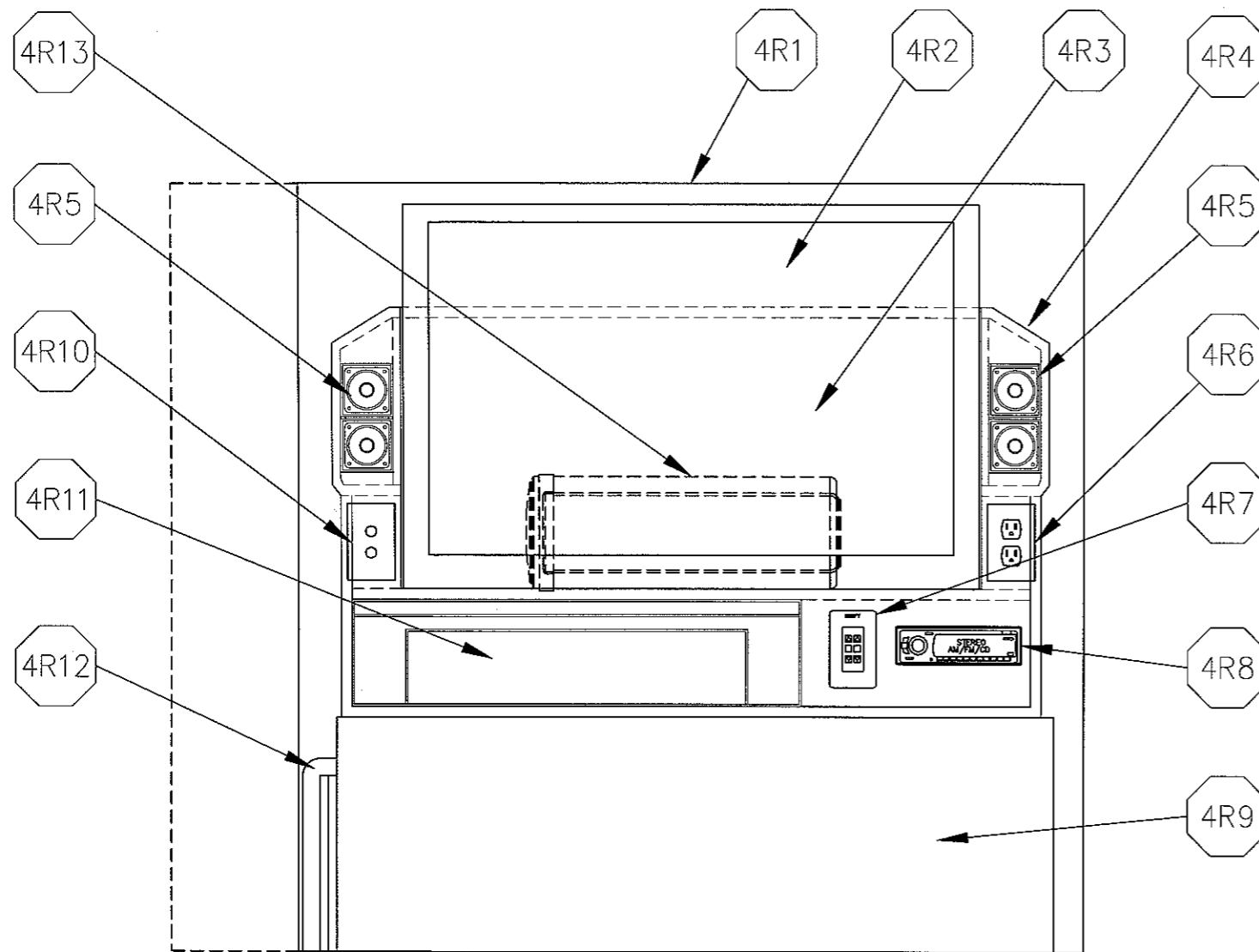


BAY #1R LAYOUT
VIEW LOOKING INTO BAY
← FWD.

<p>THIRD ANGLE PROJECTION</p> <p>DO NOT SCALE DRAWING</p> <p>TOLERANCES UNLESS OTHERWISE SPECIFIED:</p> <p>ANGLES: ± 1/4°</p> <p>FRACTIONS: ± 1/64</p> <p>DECIMALS: XX ± 0.010</p> <p>DECIMALS: XXX ± 0.005</p>	<p>DWG. BY <i>A. Almquist</i></p> <p>CHK. BY</p> <p>ENGR. BY <i>A. Almquist</i></p> <p>CHARGE:</p> <p>H345</p> <p>DATE: 01/26/05</p> <p>PROPRIETARY NOTICE:</p> <p>THIS DOCUMENT AND THE INFORMATION DISCLOSED ARE CONFIDENTIAL AND PROPRIETARY TO FEATHERLITE. DISCLOSURE OF SUCH INFORMATION IS EXPRESSLY FORBIDDEN WITHOUT OUR PRIOR WRITTEN PERMISSION.</p>	<p>FEATHERLITE</p> <p>1601 DOLGNER PL</p> <p>SANFORD FLA 32771</p> <p>TEL 1-407-323-1120 FAX 1-407-323-1945</p> <p>TITLE:</p> <p>BAY LAYOUT</p>		
	<p>CUSTOMER NAME: TRIPLE CROWN MODEL</p> <p>CUSTOMER APPROVAL & DATE:</p>	<p>SCALE: NTS</p> <p>DRAWING NO.: 01390051</p> <p>DRAWING FILE # NONE</p> <p>SHEET 2 OF 3</p>	<p>REV</p>	<p>FORM: VHM-02006</p>

NOTE — INTERPRET ALL DRAWINGS IN ACCORDANCE WITH ANSI Y14.5-1982
 1 REMOVE ALL SHARP EDGES

REVISIONS			
REV.	DESCRIPTION	DATE	APPROVAL
△			
△			
△			
△			



BAY #4R

- 4R1 BAY LIGHT
- 4R2 SONY 32" PLASMA TV MONITOR
- 4R3 FEATHERLITE MOUNTING BRACKET (BEHIND TV)
- 4R4 ENTERTAINMENT CABINET SOLID EDGE #5560046
- 4R5 BOSE DOUBLE ACOUSTIMASS CUBE SPEAKERS
(SPEAKERS MEASURE 6.2" HIGH x 3.1" WIDE x 4" DEEP)
- 4R6 110V ELECTRICAL OUTLET
- 4R7 GIRARD AWNING CONTROLLER
- 4R8 AM/FM/CD PIONEER STEREO
- 4R9 BATTERY RACK ENCLOSURE
- 4R10 INFRARED EYE SENSOR
- 4R11 PULL OUT FLIP TOP TABLE w/STORAGE DRAWER
- 4R12 BATTERY RACK ENCLOSURE VENT TUBE
- 4R13 BAZOOKA 6" TUBE SUBWOOFER (BEHIND TV)

BAY #4R LAYOUT
 VIEW LOOKING INTO BAY
 FWD. →

THIRD ANGLE PROJECTION DO NOT SCALE DRAWING TOLERANCES UNLESS OTHERWISE SPECIFIED: ANGLES: ± 1/4° FRACTIONS: ± 1/64 DECIMALS: XX ± .010 DECIMALS: XXX ± .006	DWG. BY <i>A. Almquist</i>	FEATHERLITE 1601 DOLGNER PL SANFORD FLA 32771 TEL. 1-407-323-1120 FAX 1-407-323-1945	
	CHK. BY		
	ENGR. BY	TITLE: BAY LAYOUT	
	CHASER: H345	DATE: 01/26/05	SCALE:
PROPRIETARY NOTICE: THIS DOCUMENT AND THE INFORMATION DISCLOSED ARE CONFIDENTIAL AND PROPRIETARY TO FEATHERLITE. DISCLOSURE OF SUCH INFORMATION IS EXPRESSLY FORBIDDEN WITHOUT OUR PRIOR WRITTEN PERMISSION.		DRAWING FILE # NONE	REV: -
CUSTOMER NAME: TRIPLE CROWN CUSTOMER APPROVAL & DATE:		SHEET 3 OF 3	FORM: 1024-02/00